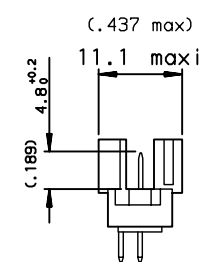
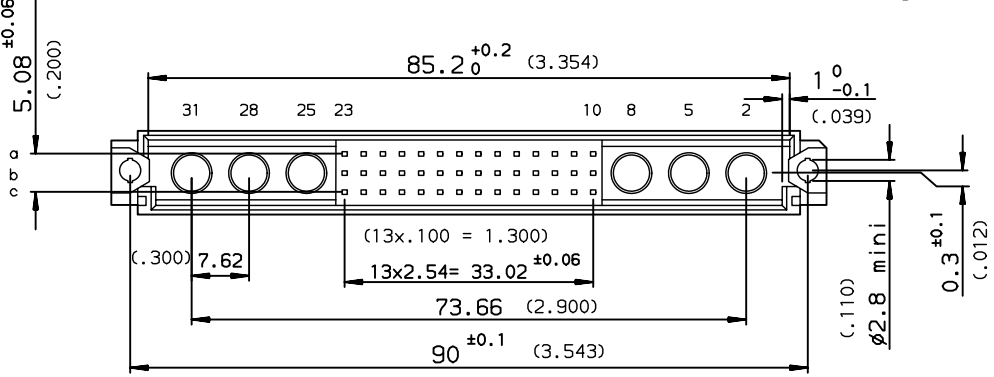
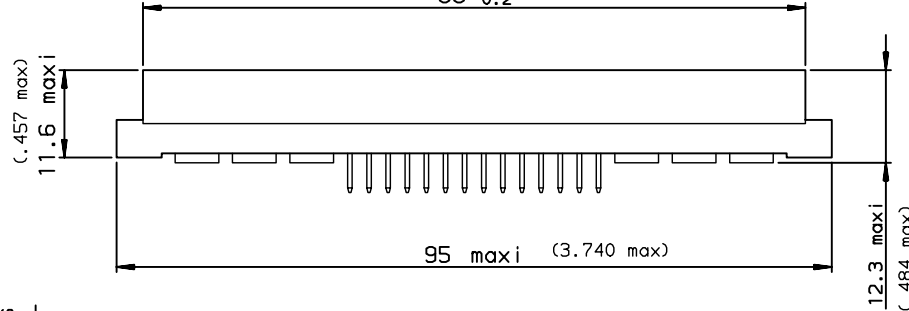
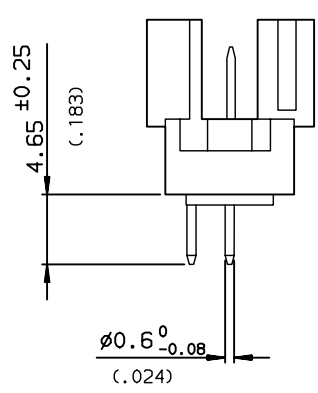


DIMENSIONS mm (inches)



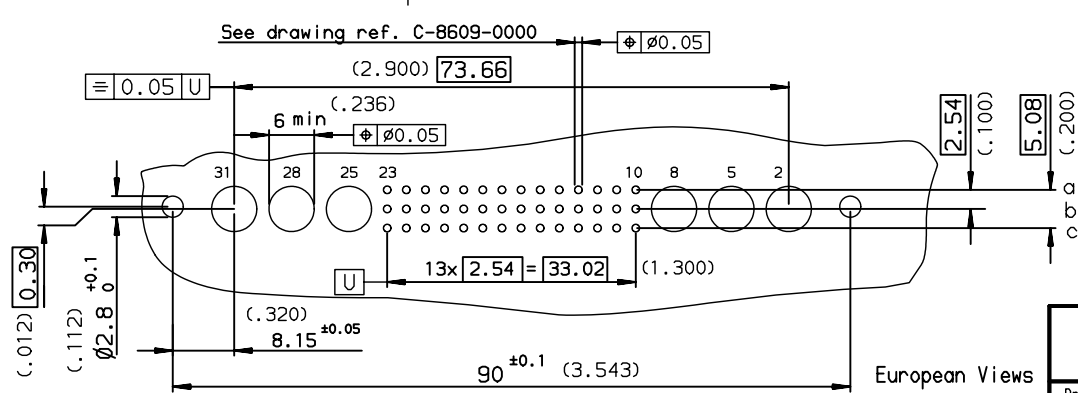
TERMINATION



TIN LEAD
PART NUMBER
8609228E814765000E1

LEAD FREE
PART NUMBER
8609228E814765E1LF

PCB DRILLING component side



GENERAL CHARACTERISTICS and ROHS INFORMATIONS
SEE DRAWING C-8609-0000A

European Views

rev	ecn no	dr	date
A	-	ROU	2001/07/25
B	LS07-0130	HLE	2007/06/08
C	LS07-0211	HLE	2007/08/16
-	-	-	-
-	-	-	-
-	-	-	-

www.fciconnect.com		surface ISO 1302 ✓	tolerance std ISO 406 ISO 1101	projection mm
TOLERANCES UNLESS OTHERWISE SPECIFIED				size A3
Dr	ROUILLARD	2001/07/25	0.X ±0.1	Scale 1.5
Eng	ROUILLARD	2001/07/25	0.XX ±0.1	ECN LS07-0211
Chr	LEGARE	2001/07/25	0.XXX ±0.1	Spec ref -
Appr	LEGARE	2001/07/25	Product family DIN	
FCJ		title STRAIGHT MALE WITH SPECIAL CTS SOLDER TO BOARD		Rev. C
catalog no		SEE TABLE	dwg no C-8609-1087	sheet 1 of 1

Copyright FCJ.